

Features & Benefits

- High energy density
- Long, stable power and long run time
- Ideal for portable communications, portable computing, DSC and Camcorder.

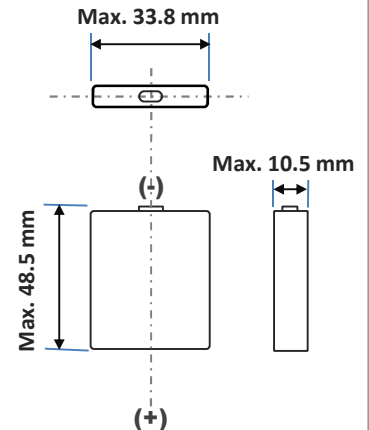
* At temperatures below 10°C, charge at a 0.35C rate.

Specifications

| | |
|-------------------------------|---|
| Rated capacity ⁽¹⁾ | Min. 2200mAh |
| Capacity ⁽²⁾ | Min. 2270mAh Typ. 2350mAh |
| Nominal voltage | 3.6V |
| Charging | CC-CV, Std. 1589mA, 4.20V, 4.0 hrs |
| Weight (max.) | 38.3 g |
| Temperature | Charge*: 0 to +45°C Discharge: -20 to +60°C Storage: -20 to +50°C |
| Energy density | Volumetric: 460 Wh/l Gravimetric: 207 Wh/kg |

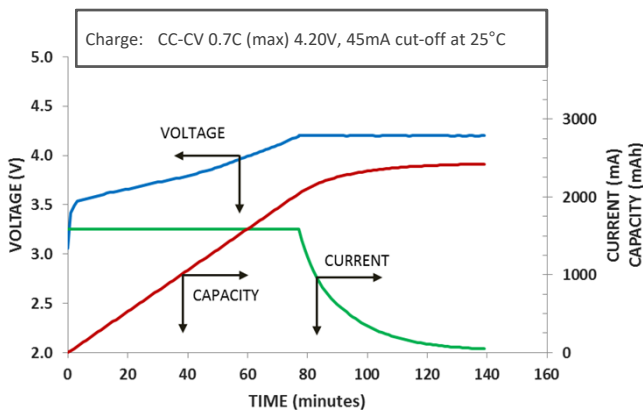
⁽¹⁾ At 20°C ⁽²⁾ At 25°C

Dimensions

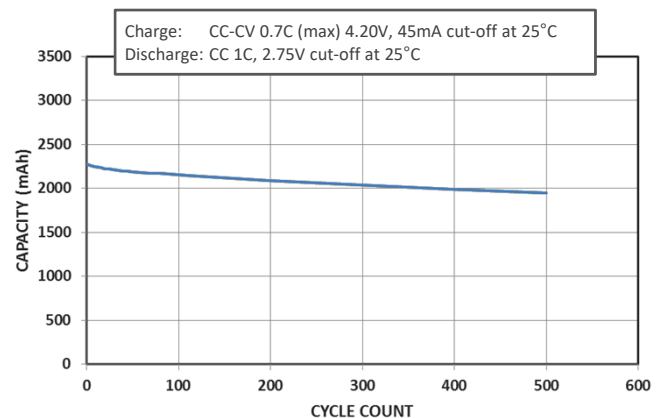


For Reference Only

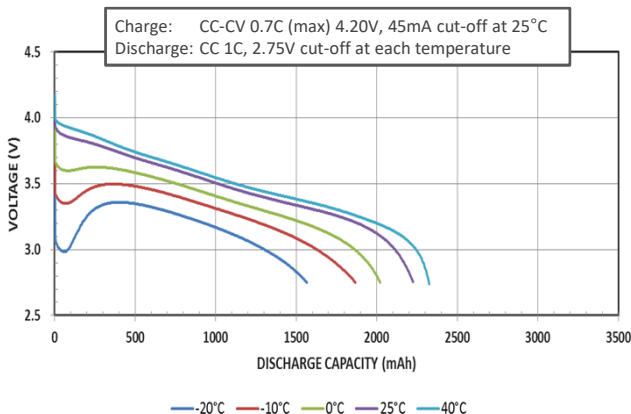
Charge Characteristics



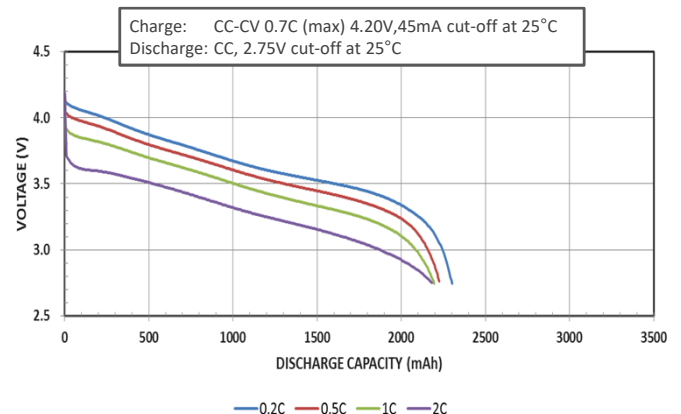
Cycle Life Characteristics



Discharge Characteristics (by temperature)



Discharge Characteristics (by rate of discharge)



The data in this document is for descriptive purposes only and is not intended to make or imply any guarantee or warranty.