

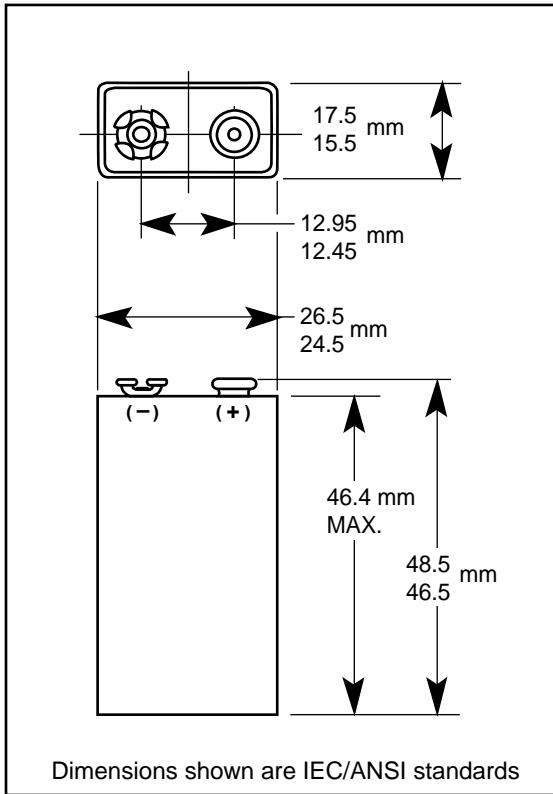
# DURACELL®

## Alkaline-Manganese Dioxide Battery

### MN1604

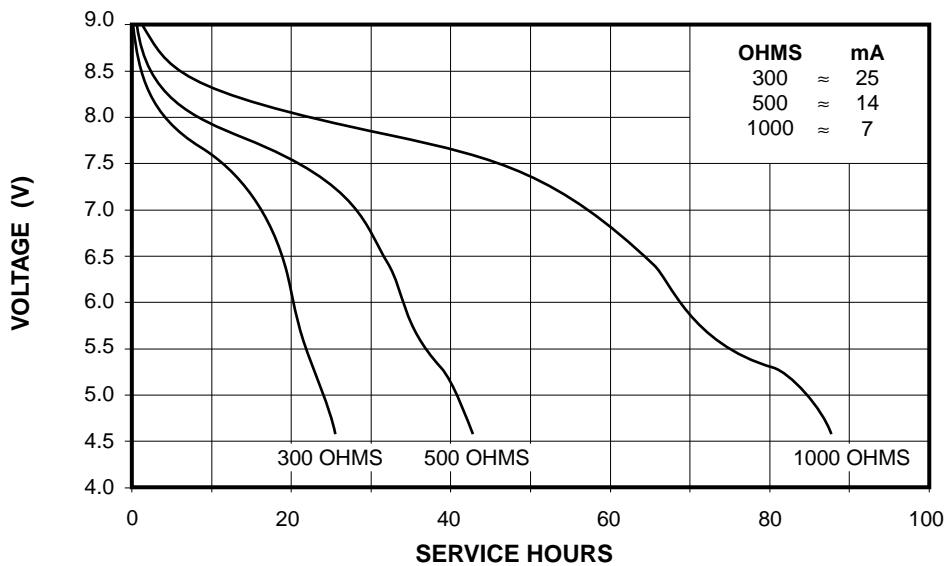
### Size: 9V (6LR61)

Zn/MnO<sub>2</sub>

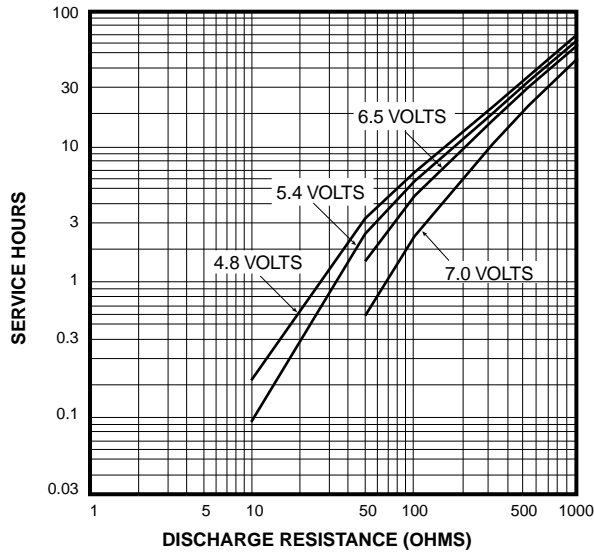


<b>Nominal Voltage:</b>	9 V
<b>Nominal Internal Impedance:</b>	1,812 m-ohm @ 1kHz
<b>Average Weight:</b>	45 gm (1.6 oz.)
<b>Volume:</b>	22.8 cm <sup>3</sup> (1.39 in. <sup>3</sup> )
<b>Terminals:</b>	Miniature Snap
<b>Operating Temperature Range:</b>	-20°C to 54°C (-4°F to 130°F)
<b>NEDA/ANSI:</b>	1604A
<b>IEC:</b>	6LR61

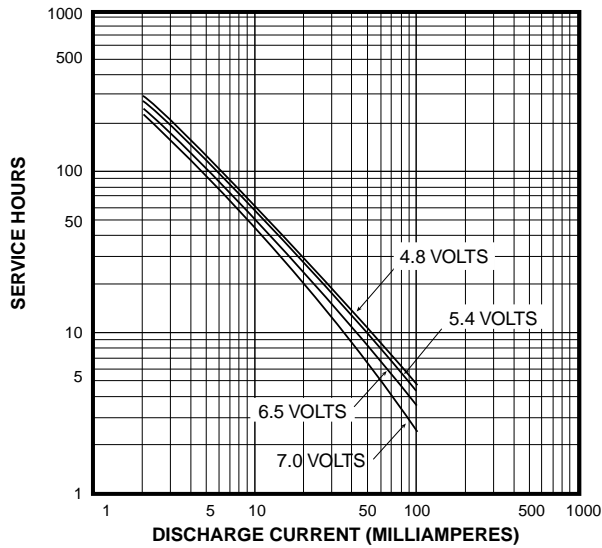
### TYPICAL DISCHARGE CHARACTERISTICS AT 21 °C (70°F)



\* Delivered capacity is dependent on the applied load, operating temperature and cut-off voltage. Please refer to the charts and discharge data shown for examples of the energy / service life that the battery will provide for various load conditions.



**TYPICAL CONTINUOUS PERFORMANCE CHARACTERISTICS WITH CONSTANT RESISTANCE TO VARIOUS CUTOFF VOLTAGES AT 21 °C (70°F)**



**TYPICAL CONTINUOUS PERFORMANCE CHARACTERISTICS WITH CONSTANT CURRENT TO VARIOUS CUTOFF VOLTAGES AT 21 °C (70°F)**

**DURACELL®**  
BATTERIES

Berkshire Corporate Park  
Bethel, CT 06801 U.S.A.  
Telephone: Toll-free 1-800-431-2656  
Facsimile: 203-796-4209  
Internet: [www.duracell.com](http://www.duracell.com)

\* Delivered capacity is dependent on the applied load, operating temperature and cut-off voltage. Please refer to the charts and discharge data shown for examples of the energy / service life that the battery will provide for various load conditions.