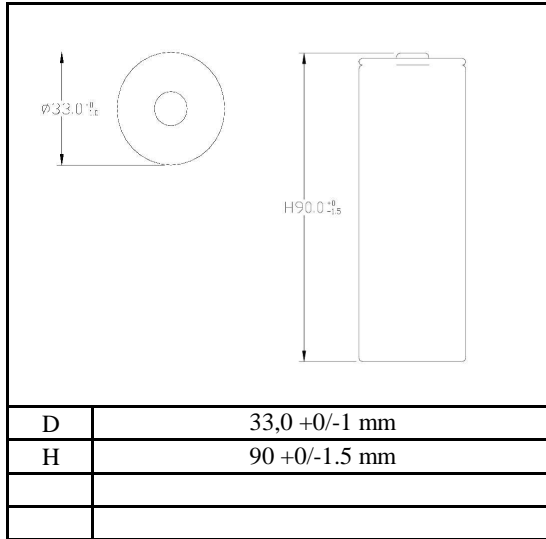




MODEL No: CNH-1300F-P-N
NI-MH

Description: 13000mAh SIZE F



Specification

Nominal Capacity		13000 mAh	
Nominal Voltage		1.2 V	
Charge current	Standard	1300 mA	
	Fast	3900 mA	
Charge time	Standard	~16 Hrs	
	Fast	~ 4 Hrs	
Ambient Temperature	Charge	Standard	0~+45°C
		Fast	+10~+45°C
	Discharge		-10~+55°C
	Storage		-20~+35°C
Internal Impedance(mΩ) (After Charge)		≤ 6	
Weight		249 g	

