

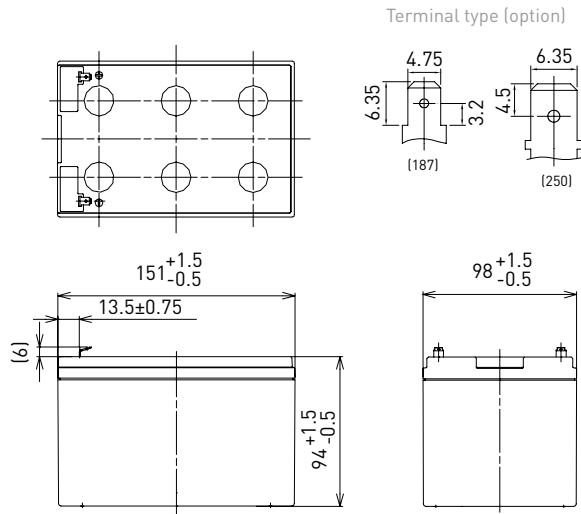
LC-CA1212P/P1

FOR MAIN POWER SUPPLIES.
CYCLE LONG-LIFE TYPE

DIMENSIONS (MM)

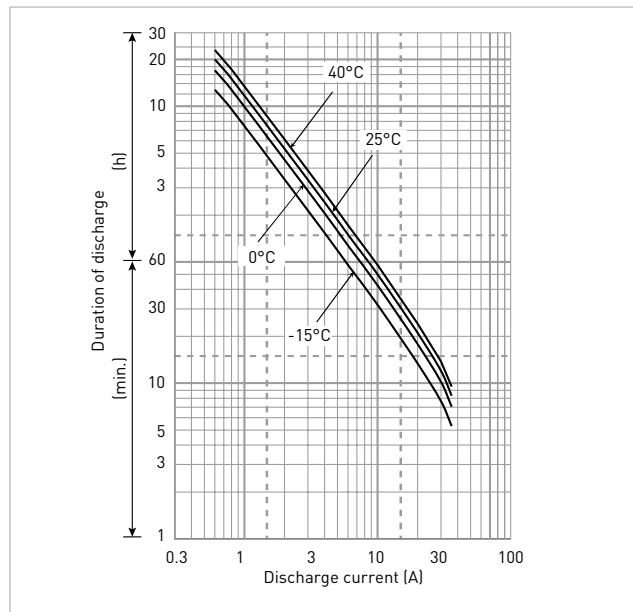


Contents indicated (including the recycle marking, etc.) are subject to change without notice. Battery case resin: standard (UL94 HB)



| Specifications | | LC-CA1212P/P1 |
|----------------------------------|---|----------------|
| Nominal voltage (V) | | 12 |
| Nominal capacity | 20 hours rate (Ah) | 12.0 |
| Dimensions | Length (mm) | 98 |
| | Width (mm) | 151 |
| | Total height (mm) | 100 |
| Approx. mass (kg) | | 3.80 |
| Terminal type | | Faston 187/250 |
| Capacity (25°C) | 20 hours rate (Ah) | 12.0 |
| | 10 hours rate (Ah) | 11.0 |
| | 3 hours rate (Ah) | 9.3 |
| | 1 hour rate (Ah) | 8.5 |
| Impedance (mΩ) | Fully charged battery (25°C) | 15 |
| | Temperature dependency of capacity (%) - 20 hours rate | |
| | 40°C | 102 |
| | 25°C | 100 |
| | 0°C | 85 |
| | -15°C | 65 |
| Remaining capacity (25°C) | After 3 months (%) | 91 |
| | After 6 months (%) | 82 |
| | After 12 months (%) | 64 |

DURATION OF DISCHARGE VS. DISCHARGE CURRENT



WATT TABLE (25°C)

(Wattage/battery)

| Cut-off | 3min. | 5min. | 10min. | 15min. | 20min. | 30min. | 45min. | 1h | 1.5h | 2h | 3h | 4h | 5h | 6h | 10h | 20h |
|---------|-------|-------|--------|--------|--------|--------|--------|-----|------|------|------|------|------|------|------|------|
| 9.6V | 679 | 559 | 384 | 298 | 247 | 183 | 137 | 105 | 70.3 | 54.5 | 38.1 | 28.8 | 24.1 | 21.7 | 13.3 | 7.22 |
| 9.9V | 649 | 537 | 373 | 288 | 241 | 177 | 135 | 104 | 69.9 | 54.2 | 37.8 | 28.8 | 24.1 | 21.7 | 13.3 | 7.22 |
| 10.2V | 607 | 506 | 363 | 282 | 235 | 177 | 134 | 102 | 69.1 | 53.9 | 37.5 | 28.8 | 24.0 | 21.6 | 13.2 | 7.21 |
| 10.5V | 556 | 475 | 343 | 271 | 231 | 172 | 133 | 100 | 68.5 | 53.3 | 36.9 | 28.7 | 24.0 | 21.6 | 13.2 | 7.20 |
| 10.8V | 495 | 434 | 321 | 261 | 225 | 166 | 123 | 98 | 66.1 | 52.1 | 36.3 | 28.4 | 23.8 | 21.5 | 13.1 | 7.18 |

AMPERE TABLE (25°C)

(Ampere/battery)

| Cut-off | 3min. | 5min. | 10min. | 15min. | 20min. | 30min. | 45min. | 1h | 1.5h | 2h | 3h | 4h | 5h | 6h | 10h | 20h |
|---------|-------|-------|--------|--------|--------|--------|--------|------|------|------|------|------|------|------|------|-------|
| 9.6V | 61.1 | 50.1 | 34.3 | 25.9 | 21.3 | 15.6 | 11.7 | 8.90 | 5.95 | 4.60 | 3.20 | 2.41 | 2.01 | 1.81 | 1.11 | 0.602 |
| 9.9V | 58.4 | 48.2 | 33.3 | 25.0 | 20.8 | 15.1 | 11.5 | 8.80 | 5.92 | 4.58 | 3.18 | 2.41 | 2.01 | 1.81 | 1.11 | 0.602 |
| 10.2V | 54.6 | 45.4 | 32.4 | 24.5 | 20.3 | 15.1 | 11.4 | 8.70 | 5.85 | 4.55 | 3.15 | 2.41 | 2.00 | 1.80 | 1.10 | 0.601 |
| 10.5V | 50.0 | 42.6 | 30.6 | 23.6 | 19.9 | 14.7 | 11.3 | 8.50 | 5.80 | 4.50 | 3.10 | 2.40 | 2.00 | 1.80 | 1.10 | 0.600 |
| 10.8V | 44.5 | 38.9 | 28.7 | 22.7 | 19.4 | 14.2 | 10.5 | 8.30 | 5.60 | 4.40 | 3.05 | 2.38 | 1.99 | 1.79 | 1.09 | 0.598 |

All mentioned values are average values

LC-CA1212P/P1

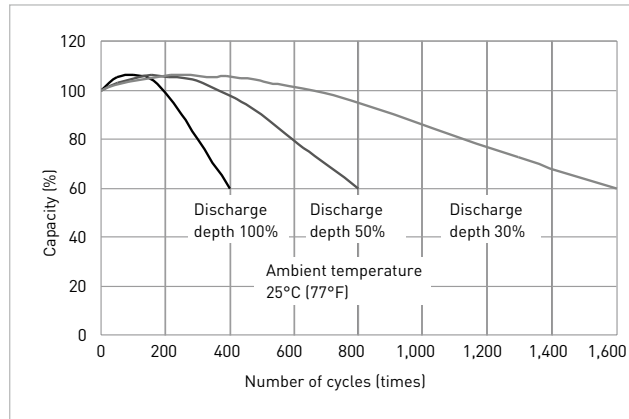
CHARGING METHOD (25°C)

| | |
|------------------|--|
| Cycle use | Control voltage 14.5V - 14.9V Initial current 4.8A or smaller |
|------------------|--|

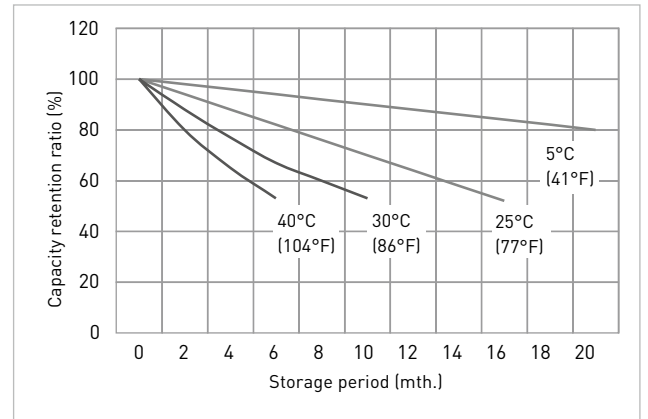
CUT-OFF VOLTAGE

| | | | | | |
|--------------------------|-------------|-----------|----------|-----------|-----------|
| Discharge current | 0.6A - 2.4A | 2.4A - 6A | 6A - 12A | 12A - 24A | 24A - 36A |
| Cut-off voltage | 10.5V | 10.2V | 9.9V | 9.3V | 8.7V |

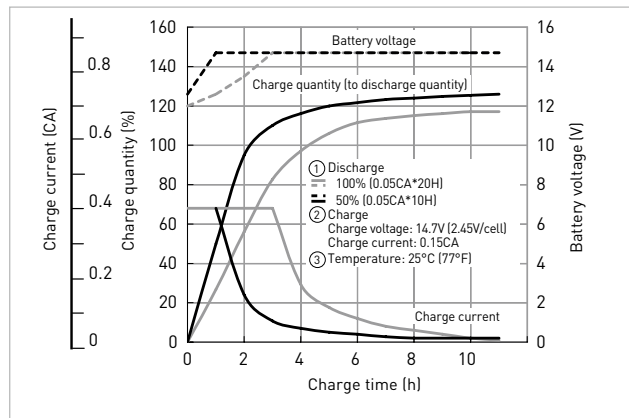
CYCLE LIFE VS. DEPTH OF DISCHARGE (ACC. IEC 61056)



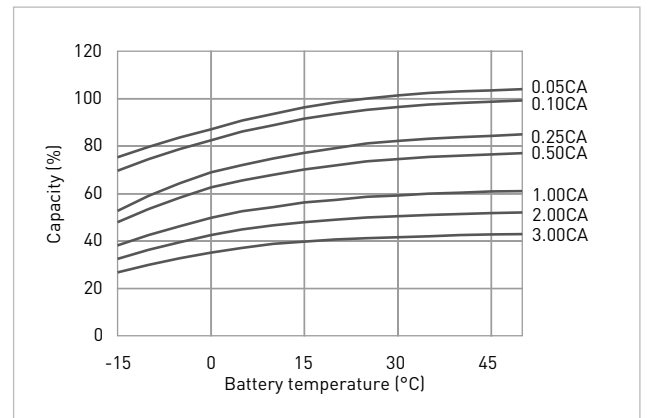
RESIDUAL CAPACITY TEST RESULT



CONSTANT-VOLTAGE CONSTANT-CURRENT CHARGE CHARACTERISTICS FOR CYCLE USE



DISCHARGE CAPACITY BY TEMPERATURE AND BY DISCHARGE CURRENT



DISCHARGE CHARACTERISTICS

