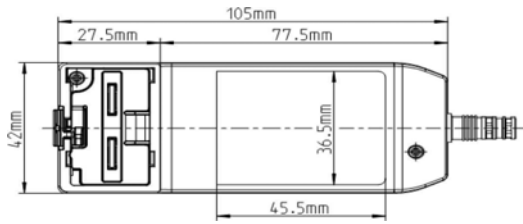


# C-LIO-3SN12-1,8M-DIN4-P-NG.R001



\*picture only for reference

## Dimensions

- Length 105mm
- Width 42mm
- Height 37mm

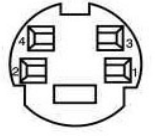
## Battery

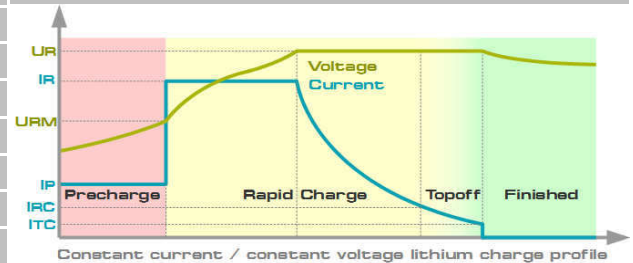
- Lithium Ion 3 cell
- Thermistor 10k
- $\beta=3980$  to batt. Neg.

## Mechanical Features

- Compact wall plug-in housing
- Output plug Mini-Din 4 pole
- Protection Class 2
- Changeable input plug for worldwide use
- For indoor use only

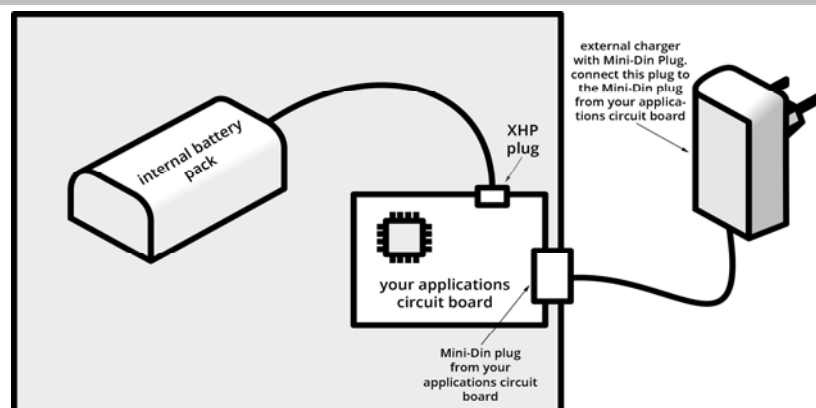
| State of charge          | LED                    | Charge profile                                       |
|--------------------------|------------------------|--|
| Charge pending           | Amber                  | • Manufacturer recommended CC/CV                     |
| Precharge                | Amber 0,5s on 0,5s off | • Low voltage / temperature Precharge                |
| Rapid charge             | Green 0,5s on 0,5s off | • Topoff mode, Safety timers, Temperature monitoring |
| Charge finished & topoff | Green                  |  |
| Fault                    | Red                    |  |

| Pin layout      |   |      |      |      |               |      |     |      |     |
|-----------------|---|------|------|------|---------------|------|-----|------|-----|
| Mini-Din 4 pole |  <table border="1"> <tr> <td>Pin1</td> <td>Plus</td> </tr> <tr> <td>Pin2</td> <td>not connected</td> </tr> <tr> <td>Pin3</td> <td>NTC</td> </tr> <tr> <td>Pin4</td> <td>GND</td> </tr> </table> | Pin1 | Plus | Pin2 | not connected | Pin3 | NTC | Pin4 | GND |
| Pin1            | Plus  |      |      |      |               |      |     |      |     |
| Pin2            | not connected   |      |      |      |               |      |     |      |     |
| Pin3            | NTC   |      |      |      |               |      |     |      |     |
| Pin4            | GND   |      |      |      |               |      |     |      |     |



| Input Parameters |            | Output Parameters |                         |
|------------------|------------|-------------------|-------------------------|
| Input voltage    | 90 - 264 V | Output power      | max 24 W                |
| Input current    | 9 - 620 mA | Output voltage    | min. 12,27V max. 12,53V |
| Input frequency  | 47 - 63 Hz | Output current    | min. 1,08A max. 1,32A   |
| Efficiency       | typ. 87%   |                   |                         |

| Environmental         |            |           |
|-----------------------|------------|-----------|
| Operating temperature | min. 0°C   | max. 80°C |
| Storage temperature   | min. -30°C | max. 80°C |
| Humidity              | max. 95%   |           |



The data in this datasheet document are for information and descriptive purposes only and are not to make or imply any guarantee or warranty

No guarantee for zero failure status of given information inside this document. Please see/request detailed specification for finally valid data